



REVISIONS:	BY:

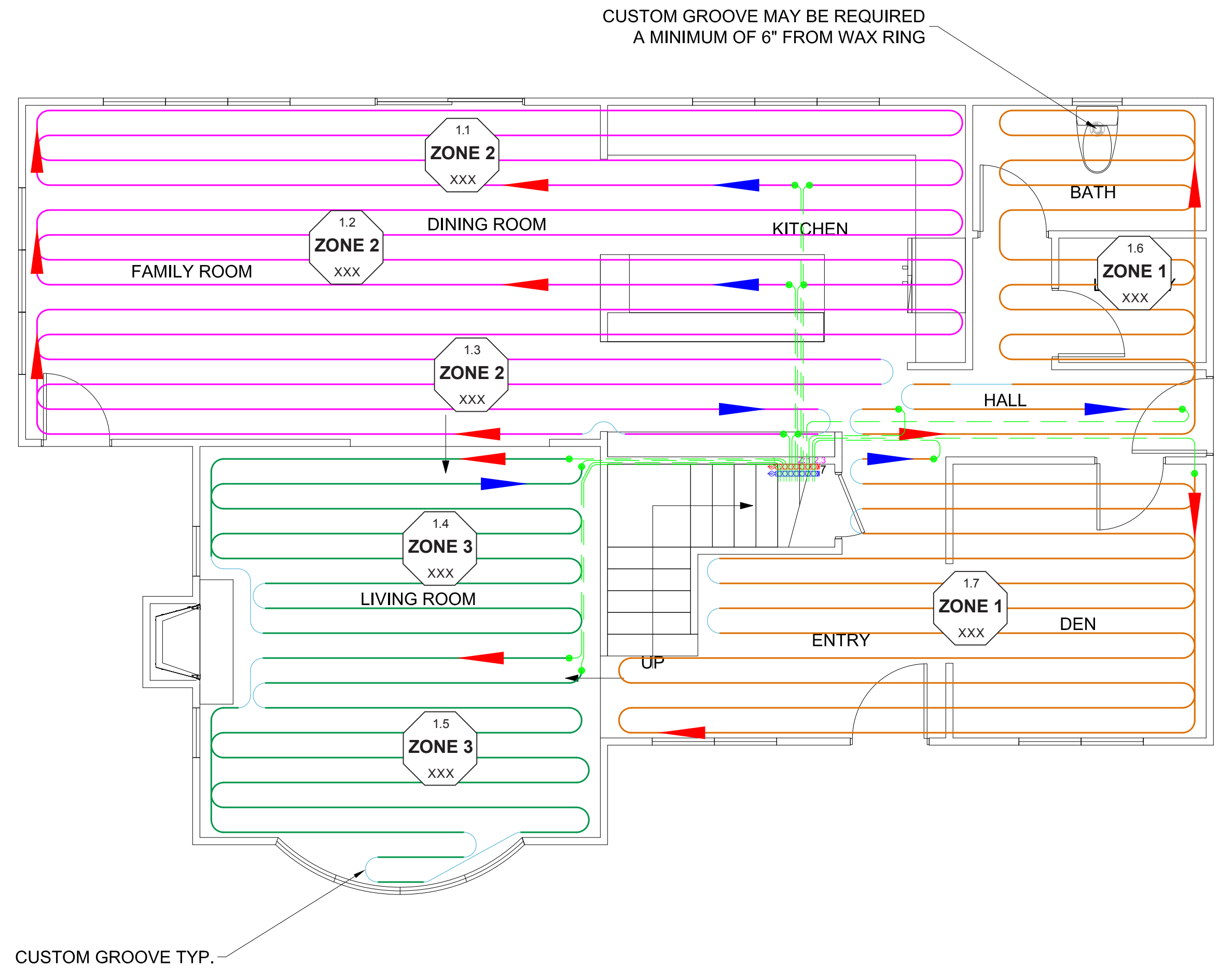
**WARMBOARD, INC.**  
 100 ENTERPRISE WAY, SUITE G300  
 SCOTTS VALLEY, CA 95066  
 VOICE: (800) 556-0595 FAX: (831) 685-9278  
 WWW.WARMBOARD.COM EMAIL: PLANS@WARMBOARD.COM



**PRESENTATION PLANS**  
 JOB# 00000  
 SCOTTS VALLEY, CA

**WB-S TUBING LAYOUT**

DATE: 08/22/2015  
 SCALE: 1/4" = 1'  
 DRAWN: T.WILHELMSSON  
 REVIEWED: JMB  
 SHEET:  
 2 OF 5



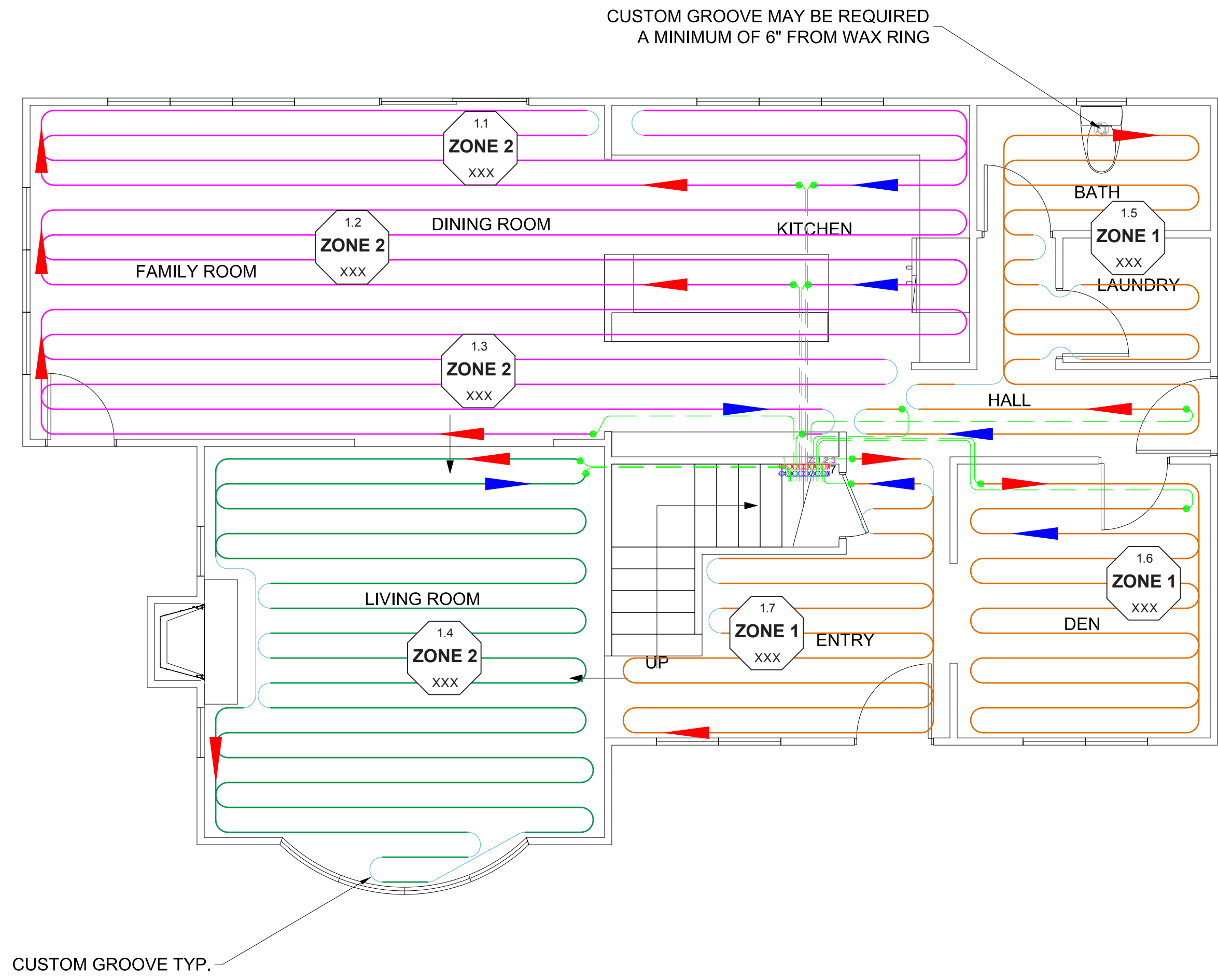
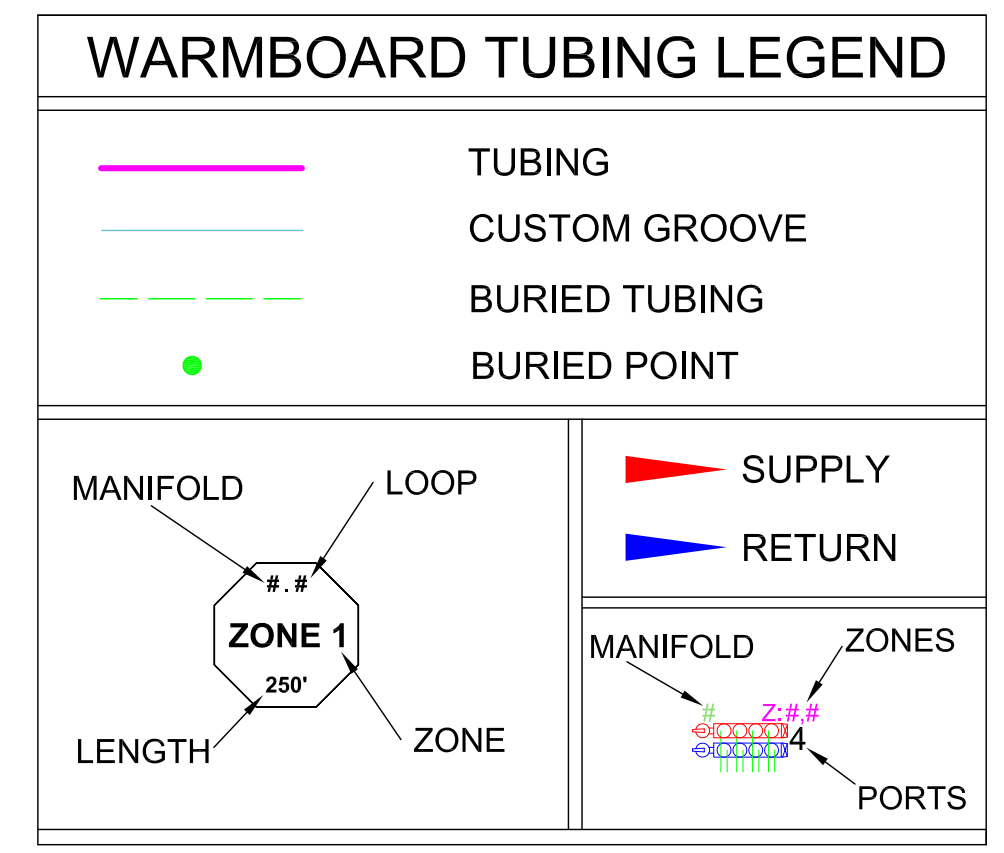
**BEFORE WALLS TUBE LAYOUT**

Scale: 1/4"=1'-0"

**NOTE: TUBING IS REQUIRED TO BE INSTALLED BEFORE WALLS ARE FRAMED**

ESTIMATED CUSTOM ROUTES	
Turns	XXX
Total Linear Length of Straight Routes	XXX

LOOP SCHEDULE			
ZONE	MANIFOLD	LOOP	LENGTH
2	1	1	XXX
2	1	2	XXX
2	1	3	XXX
3	1	4	XXX
3	1	5	XXX
1	1	6	XXX
1	1	7	XXX
Total			XXX



**AFTER WALLS TUBE LAYOUT**

Scale: 1/4"=1'-0"

**NOTE: TUBING IS REQUIRED TO BE INSTALLED AFTER WALLS ARE FRAMED**

ESTIMATED CUSTOM ROUTES	
Turns	XXX
Total Linear Length of Straight Routes	XXX

LOOP SCHEDULE			
ZONE	MANIFOLD	LOOP	LENGTH
2	1	1	XXX
2	1	2	XXX
2	1	3	XXX
3	1	4	XXX
1	1	5	XXX
1	1	6	XXX
1	1	7	XXX
Total			XXX

REVISIONS:	BY:

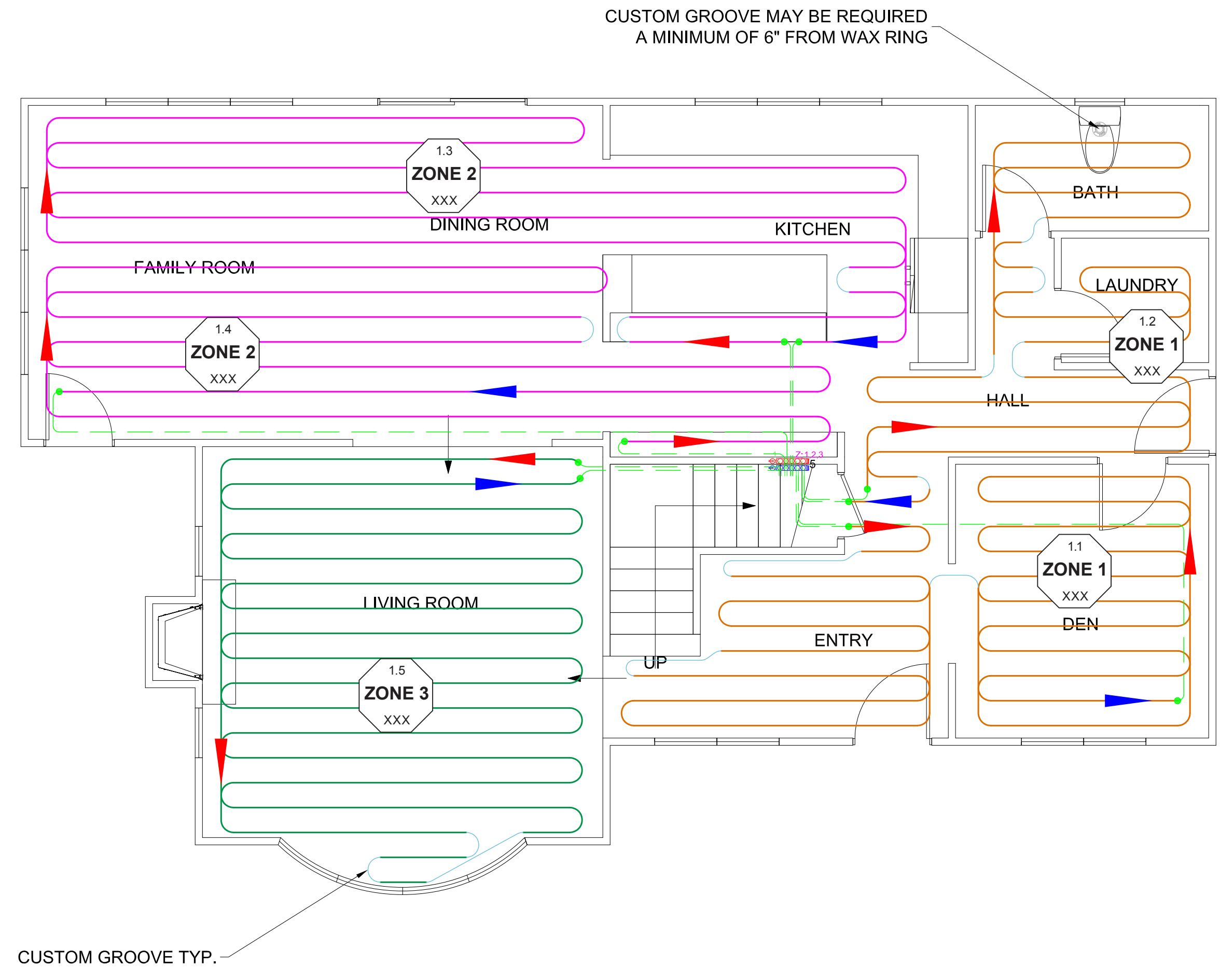
**WARMBOARD, INC.**  
 100 ENTERPRISE WAY, SUITE G300  
 SCOTT'S VALLEY, CA 95066  
 VOICE: (800) 556-0595 FAX: (831) 665-9278  
 WWW.WARMBOARD.COM EMAIL: PLANS@WARMBOARD.COM



**PRESENTATION PLANS**  
 JOB# 00000  
 SCOTT'S VALLEY, CA

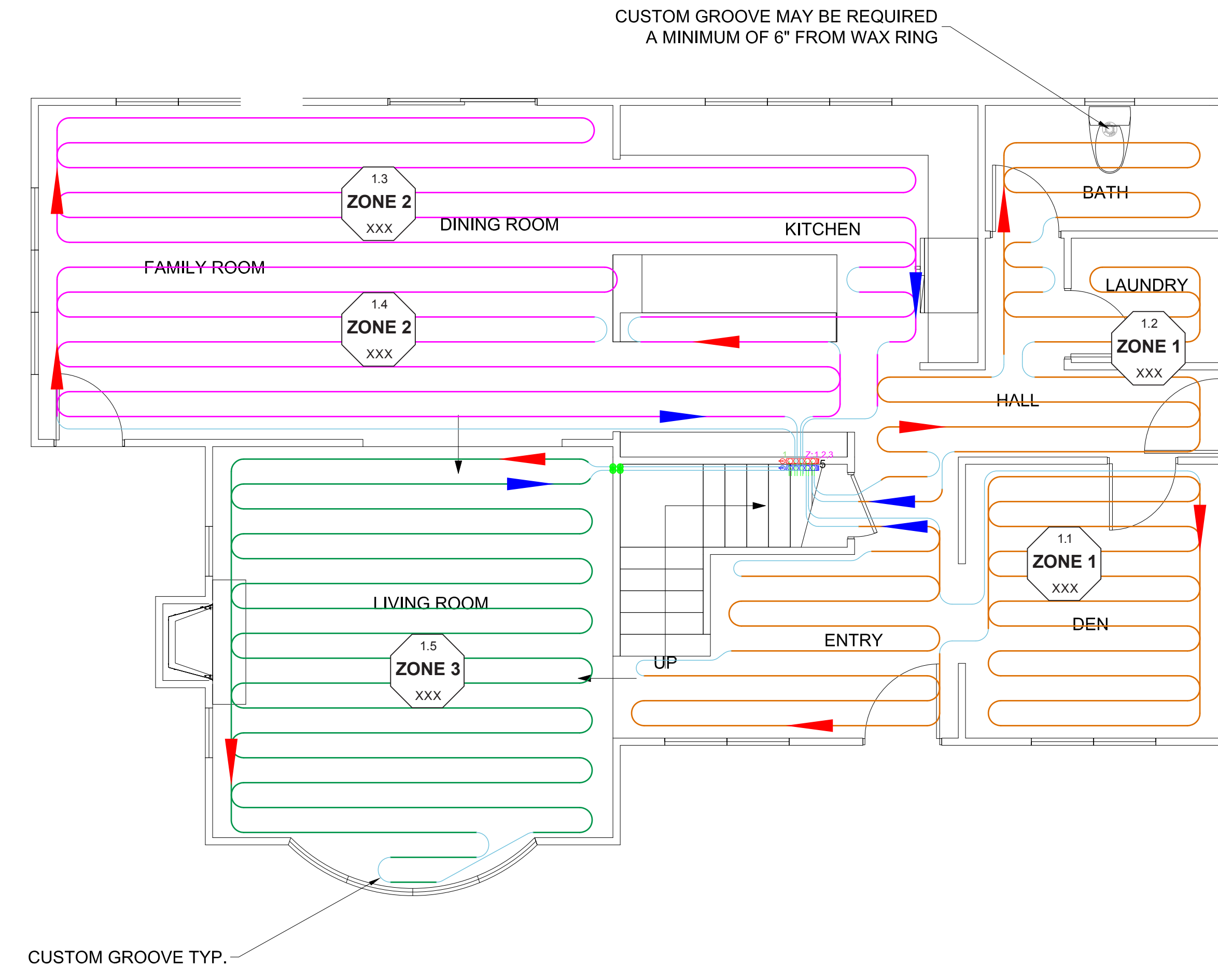
**WB-R TUBING LAYOUT**

DATE: 08/22/2015  
 SCALE: 1/4" = 1'  
 DRAWN: T.WILHELMSSON  
 REVIEWED: JMB  
 SHEET:  
**3 OF 5**



**BURIED TUBING LAYOUT**

Scale: 1/4"=1'-0"

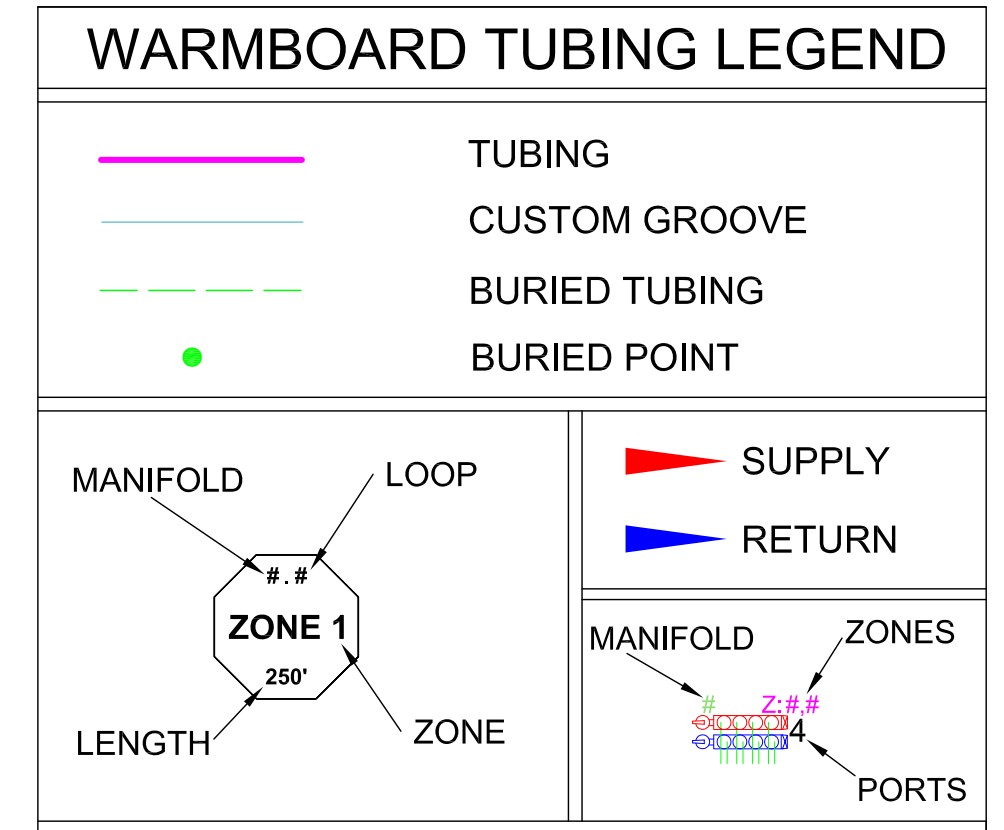


**NO BURIED TUBING LAYOUT**

Scale: 1/4"=1'-0"

ESTIMATED CUSTOM ROUTES	
Turns	XX
Total Linear Length of Straight Routes	XX

LOOP SCHEDULE			
ZONE	MANIFOLD	LOOP	LENGTH
1	1	1	XXX
1	1	2	XXX
2	1	3	XXX
2	1	4	XXX
3	1	5	XXX
Total			XXX



ESTIMATED CUSTOM ROUTES	
Turns	XX
Total Linear Length of Straight Routes	XX

LOOP SCHEDULE			
ZONE	MANIFOLD	LOOP	LENGTH
1	1	1	XXX
1	1	2	XXX
2	1	3	XXX
2	1	4	XXX
3	1	5	XXX
Total			XXX