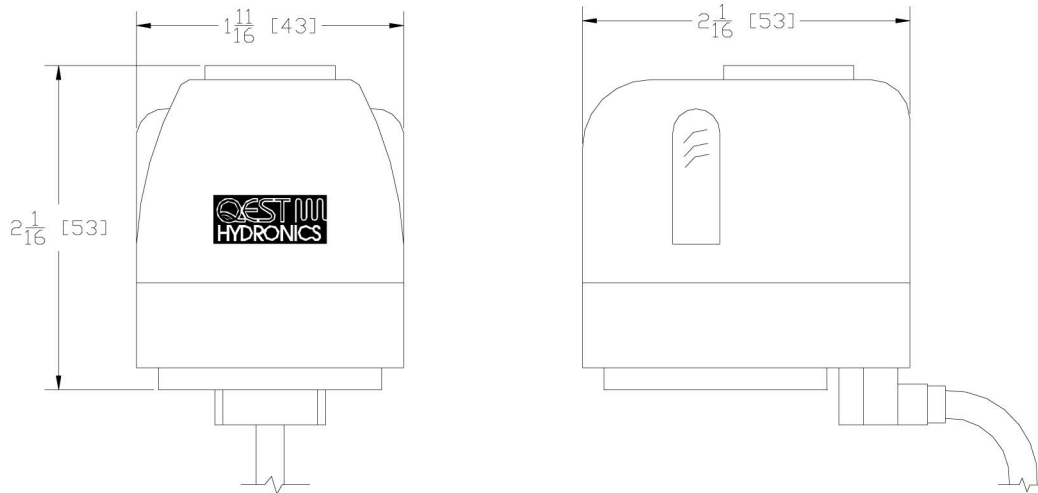




A ZURN COMPANY

4 Wire Zone Valve Actuator

Dimensional Data: inches and [mm] are Subject to Manufacturing Tolerances and Change without Notice



ENGINEERING SPECIFICATION: Zurn/Qest® Zone Valve Actuator allowing for zone valve control. Unit operates on 24V AC, 2W. End Switch is rated at 2A. Complete with pop-up operating indicator. Connects to zone valve with threaded adapter and actuator is snap on/off to adapter.